

ENGINEERED LIFTING SOLUTIONS

## HOISTING FOR EXTREME APPLICATIONS



**LOW HEADROOM TROLLEY HOIST  
COMBINATION**

**1,000 KG – 10,000 KG LIFTING CAPACITY**

Leaflet No. KITO-81310-81410-01

## LOW HEADROOM TROLLEY HOIST COMBINATION

1,000 KG – 10,000 KG LIFTING CAPACITY

### Designed and manufactured according to:

- ▶ EC machinery directive 2006/42/EC
- ▶ EN13157
- ▶ Manufactured in the Netherlands

### Standard features:

- ▶ Suitable for extreme spaces and low headroom applications
- ▶ Light weight
- ▶ Low pulling force on the hand chain
- ▶ Chain hoist executed with double safety pawl, safe and sure brakes
- ▶ Surface treatment 2 layer paint system and power coating, Munsell 6YR6/14
- ▶ Nickel plated load chain, grade V (G 100) in acc. with standard EN818-7
- ▶ Hand chain electric galvanized
- ▶ Trolley wheels with life time lubricated bearings
- ▶ Wheel break support and anti-tilt device integrated
- ▶ Ambient temperature -20°C / +40°C

### Remark:

Low headroom hoist units are executed with a fixed suspension set within the range of the beam width as mentioned in the tables.

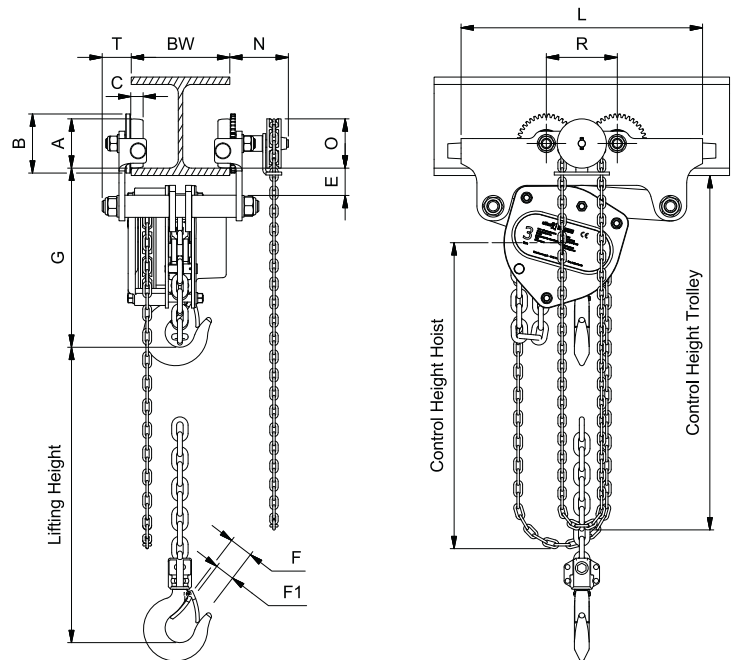
Maximum INP profile restriction for 6kN = INP220, 11kN = INP300, 22kN = INP360, 33kN = INP400, 52/64kN = INP450

### Optional:

- ▶ Explosion protected execution zone 1
- ▶ Special surface protection acc. to ISO 12944
- ▶ 3.1 load test certificate
- ▶ Canvas chain bag, steel or stainless steel container
- ▶ Solid bronze wheels
- ▶ Parking device for parking in unloaded condition
- ▶ Stainless steel 316 load chain and hand chain
- ▶ Stainless steel nameplate with tag number
- ▶ General arrangement drawing in dwg. and 3D Step
- ▶ 3.1 material certificate for load bearing parts of the trolley

### Special options:

Also available in rack and pinion driven execution for operation under inclination.



Capacity	Article number Push	Article number Geared	Chassis	Fixed beam width in range	No. of falls	Chain size	max. pulling force hoist	max. pulling force trolley	Weight	Head-room	Dimensions										
											kg	G	A	B	C	E	F	F1	R	T	L
500	81310-00600	81410-01000	11 kN	55-300	1	5	24	10	21,5	260	Ø60	Ø75	18	20	31,1	27	99	42	310	90	Ø100
1,000	81310-01100	81410-01100	11 kN	55-300	1	6,3	29	10	23	270	Ø60	Ø75	18	20	34,6	29	99	42	310	90	Ø100
1,500	81310-01500	81410-01500	22 kN	74-300	1	7,1	35	16	35	280	Ø80	Ø100	22	27	38,8	34	123	49	395	90	Ø100
2,000	81310-02200	81410-02200	22 kN	74-300	1	8	36	16	40	310	Ø80	Ø100	22	27	40	36	123	49	395	90	Ø100
2,500	81310-02500	81410-02500	33 kN	90-300	1	9	33	20	60	370	Ø100	Ø120	25	35	42,5	40	144	59	455	95	Ø100
3,000	81310-03300	81410-03300	33 kN	90-300	2	7,1	36	20	55	435	Ø100	Ø120	25	35	46	42,5	144	59	455	95	Ø100
5,000	81310-05200	81410-05200	52 kN	106-300	2	9	34	20	100	530	Ø125	Ø150	30	40	50	46,5	174	65	590	130	Ø135
7,500	-	81410-08400	104 kN	115-300	3	9	35	19	220	670	Ø160	Ø190	35	42	79,5	72,5	220	82	800	134	Ø270
10,000	-	81410-10400	104 kN	115-300	4	9	36	19	220	640	Ø160	Ø190	35	42	79,2	72,5	220	82	800	134	Ø270

\* Larger capacities up to 25,000kg on request

Changes in design and measurements reserved.

### Van Leusden BV

Parelhoenweg 2 | 4791 PA Klundert | The Netherlands  
Tel. +31 168 385 225 | www.vanleusden.com | info@vanleusden.com

LIFTING EXPECTATIONS