

ENGINEERED LIFTING SOLUTIONS

## HOISTING FOR EXTREME APPLICATIONS



### HD3C RACK AND PINION DRIVEN TROLLEY

SPECIAL DESIGNED TO HANDLE INCLINATIONS  
500 KG – 12,500 KG LIFTING CAPACITY

Leaflet No. KITO-89600.01 HOLD

## HD3C RACK AND PINION DRIVEN TROLLEY

SPECIAL DESIGNED TO HANDLE INCLINATIONS  
500 KG – 12,500 KG LIFTING CAPACITY

### Designed and manufactured according to:

- ▶ EC machinery directive 2006/42/EC
- ▶ EN13157
- ▶ Manufactured in the Netherlands

### Standard features:


- ▶ The self-braking gear box is suitable for 5° heel and trim angles
- ▶ Unique 3 bolts design which ensures stability and safe situation
- ▶ Wheel break support and anti-tilt device integrated
- ▶ Trolley wheels with life time lubricated bearings
- ▶ Suspension for all kind of hoist
- ▶ Suitable for all types of beams
- ▶ Surface treatment trolley 2 layer paint system 80µm, RAL7021
- ▶ Hand chain electric galvanized
- ▶ Operational temperature -20°C +40°C

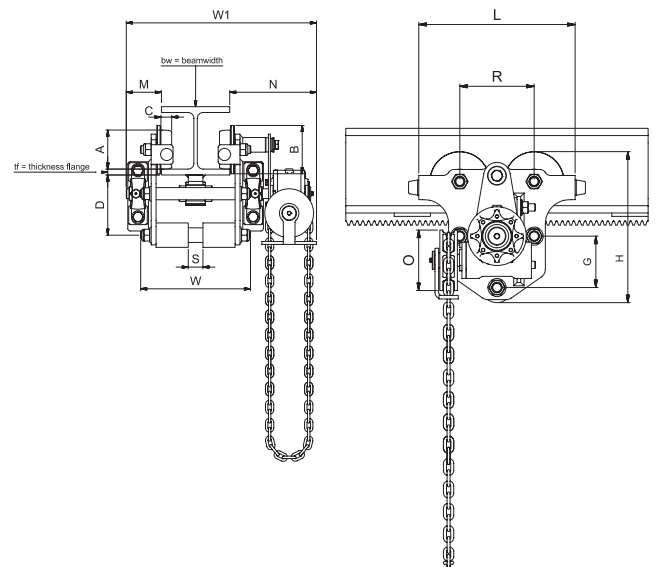
### Remark:

The minimum beam radius is based on the maximum beam width which is specified in the table. For smaller curved beams always contact us or your local agent.

Maximum INP profile restriction for 6kN = INP220, 11kN = INP300, 22kN = INP360, 33kN = INP400, 52/64kN = INP450

### Optional:

- ▶  Also available in explosion protected execution
- ▶ Explosion protected execution
- ▶ Operational temperature -40°C +40°C
- ▶ Special surface protection acc. to ISO 12944
- ▶ Solid stainless steel or bronze wheels
- ▶ Stainless steel nameplate with tag number
- ▶ Stainless steel 316 hand chain
- ▶ Rubber buffers mounted on trolley
- ▶ General arrangement drawing in 2D dwg and 3D step
- ▶ 3.1 load test certificate
- ▶ 3.1 material certificate for load bearing trolley parts
- ▶ Also available in electrical and pneumatic execution
- ▶ Also available in stainless steel 316 execution



Capacity kg	Article number RT execution	Article number RV execution	Chassis	Fixed beam width min-max mm	Max. inclination angle	Modul	Min. beam radius mm	Weight kg	Dimensions											
									A	B	C	L	H	W	W1	R	D	M	N	O
1,000	83600-01151	83600-01152	11 kN	55-254	5°	M=3	1000	17	60	75	18	195	210	BW+ 70	BW+ 240	99	109	70	175	100
2,000	83600-02251	83600-02252	22 kN	74-305	5°	M=3	1000	23	80	100	22	260	250	BW+ 85	BW+ 250	123	124	75	180	100
3,200	83600-03351	83600-03352	33 kN	90-305	5°	M=3	1750	38	100	120	25	305	290	BW+ 105	BW+ 272	144	137	80	200	100
5,000	83600-05251	83600-05252	52 kN	106-305	5°	M=4	2150	65	125	150	30	380	370	BW+120	BW+ 340	174	200	90	250	135
6,300	83600-06451	83600-06452	64 kN	106-305	5°	M=4	2150	75	125	150	30	380	370	BW+ 120	BW+ 340	174	200	90	250	135
8,000	-	83600-08451	84 kN	119-305	2°	M=6	2950	110	160	190	35	450	475	BW+ 150	BW+	220	250	105	290	195
10,000	-	83600-10451	104 kN	131-305	2°	M=6	2950	110	160	190	35	450	475	BW+ 150	BW+	220	250	105	290	195
12,500	-	83600-12451	124 kN	131-305	2°	M=6	2950	135	160	190	35	450	480	BW+ 150	BW+	220	250	110	300	195

\* Larger capacities up to 20,000kg on request  
S dimension to be specified by customer

Changes in design and measurements reserved.

### Van Leusden BV

Parelhoenweg 2 | 4791 PA Klundert | The Netherlands  
Tel. +31 168 385 225 | [www.vanleusden.com](http://www.vanleusden.com) | [info@vanleusden.com](mailto:info@vanleusden.com)

LIFTING EXPECTATIONS