

ENGINEERED LIFTING SOLUTIONS

## HOISTING FOR EXTREME APPLICATIONS



### HD3C PUSH AND GEARED TROLLEYS ATEX MEDIUM

500 KG – 30,000 KG LIFTING CAPACITY



ATEX  
Explosion Protected

Leaflet No. KITO-83800-83810:01

## HD3C PUSH AND GEARED TROLLEYS ATEX MEDIUM

500 KG – 30,000 KG LIFTING CAPACITY



**ATEX**  
Explosion Protected

### Designed and manufactured according to:

- ▶ EC machinery directive 2006/42/EC  
ATEX Directive 2014/34/EU
- ▶ EN13157
- ▶ Manufactured in the Netherlands

### Standard features:

- ▶ Equipment classification Gas II 2G EX h IIB T4 Gb (zone 1)
- ▶ Equipment classification Dust II 2D EX h IIIB T135°C Db (zone 21)
- ▶ Unique 3 bolt design which ensures stability and safe situation
- ▶ Adjustable suspension bolts (see table)
- ▶ Wheel break support and anti-tilt device integrated
- ▶ Trolley wheels with life time lubricated bearings
- ▶ Suitable for all types of beams
- ▶ Surface treatment trolley electric galvanized up to 64kN larger chassis are 2 layer paint system, RAL7021
- ▶ Hand chain electric galvanized
- ▶ Rubber buffers mounted on the trolley

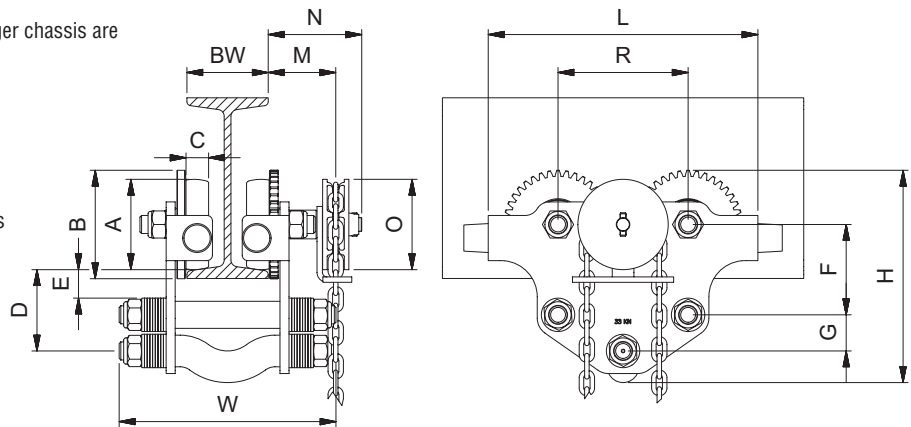
### Remark:

The minimum beam radius is based on the maximum beam width which is specified in the table. For smaller curved beams always contact us or your local agent for clarification.

Maximum INP profile restriction for 6kN = INP220,  
11kN = INP300, 22kN = INP360, 33kN = INP400,  
52/64kN = INP450

### Optional:

- ▶ Special surface protection according to ISO 12944
- ▶ Extended chain wheel drive (max. 300mm), dimension "M"
- ▶ Parking device for parking in unloaded condition
- ▶ Special side plates to increase dimension "E"
- ▶ Stainless steel nameplate with tag number
- ▶ Fixed beam execution
- ▶ Straight suspension bolt with spacer
- ▶ 3.1 load test certificate
- ▶ 3.1 material certificate for load bearing trolley parts
- ▶ Stainless steel hand chain
- ▶ Solid bronze wheels



Capacity kg	Article number Push	Article number Geared	Chassis	Adjustable beam width min-max	Min. radius	Chain pull max. kg	Weight * / ** kg	Dimensions																															
								A	B	C	L	H	W	R	D	E	F	G	M	N	O																		
500	83800-00600	-	6 kN	55-102	700	-	3	45	60	15	150	125	160	75	52	15	45	30	-	-	-																		
	83800-00601	-		105-152									210																										
1,000	83800-01100	83810-01100	11 kN	55-102	1,050	10	5-6	60	75	18	190	160	175	99	60	20	60	30	65	90	100																		
	83800-01101	83810-01101		105-152									225																										
	83800-01102	83810-01102		156-203									275																										
	83800-01103	83810-01103		207-254									325																										
	83800-02200	83810-02200		74-127									215																										
2,000	83800-02201	83810-02201	22 kN	127-180	1,400	16	11-12	80	100	22	255	205	270	123	75	27	80	35	65	90	100																		
	83800-02202	83810-02202		190-243									330																										
	83800-02203	83810-02203		254-305									390																										
	83800-03300	83810-03300		90-143									250																										
	83800-03301	83810-03301		149-203									310																										
3,200	83800-03302	83810-03302	33 kN	203-254	1,750	20	18-19	100	120	25	300	245	360	144	90	35	100	40	70	95	100																		
	83800-03303	83810-03303		251-305									410																										
	83800-05200	83810-05200		106-156									270																										
	83800-05201	83810-05201		160-210									325																										
	83800-05202	83810-05202		210-260									375																										
5,000	83800-05203	83810-05203	52 kN	255-305	2,200	20	31-32	125	150	30	375	305	420	174	117	40	120	60	100	130	135																		
	83800-06400	83810-06400		106-156									270																										
	83800-06401	83810-06401		160-210									325																										
	83800-06402	83810-06402		210-260									375																										
	83800-06403	83810-06403		255-305									420																										
6,300	83800-06401	83810-06401	64 kN	160-210	2,200	25	33-34	125	150	30	375	310	325	174	117	40	120	60	100	130	135																		
	83800-06402	83810-06402		210-260									375																										
	83800-06403	83810-06403		255-305									420																										
	8,000	83800-08401		83810-08401									84 kN									>= 119		16	85-90	160	190	35	450	365	BW+150	220	145	45	145	80	105	130	270
	10,000	83800-10401		83810-10401									104 kN									>= 131	2,950	19	90-95	160	190	35	450	370	BW+150	220	145	45	145	80	105	130	270
12,500	83800-12401	83810-12401	124 kN	>= 143		23	95-100	160	190	35	450	370	BW+150	220	145	45	145	80	105	130	270																		
16,000	83800-16401	83810-16401	164 kN	>= 155		25	135-145	200	240	50	550	445	BW+185	272	165	42	165	100	135	170	300																		
20,000	83800-20401	83810-20401	204 kN	>= 170	3,700	25	140-150	200	240	50	550	450	BW+185	272	165	42	165	100	135	170	300																		
25,000	83800-25401	83810-25401	254 kN	>= 185		25	150-160	200	240	50	550	455	BW+195	272	165	42	165	100	135	170	380																		
30,000	83800-32801	83810-32801	328 kN	>= 200	4,000	25	310	250	288	55	670	655	BW+286	320	265	62,5	215	175	144	181	380																		

\* Weight push trolley \*\*Weight of geared trolley / Each control meter hand chain= 1kg

Changes in design and measurements reserved.

### Van Leusden BV

Parelhoenweg 2 | 4791 PA Klundert | The Netherlands  
Tel. +31 168 385 225 | www.vanleusden.com | info@vanleusden.com

**LIFTING EXPECTATIONS**