

ENGINEERED LIFTING SOLUTIONS

HOISTING FOR EXTREME APPLICATIONS



MANUAL LEVER HOIST ATEX ZONE 2

800 KG – 9,000 KG LIFTING CAPACITY



**ATEX
Explosion Protected**

Leaflet No. KITO-86920

MANUAL LEVER HOIST ATEX ZONE 2

800 KG – 9,000 KG LIFTING CAPACITY



ATEX
Explosion Protected

Designed and manufactured according to:

- ▶ EC machinery directive 2006/42/EC
- ▶ ATEX Directive 2014/34/EU
- ▶ EN13157
- ▶ Manufactured in the Netherlands

Standard features:

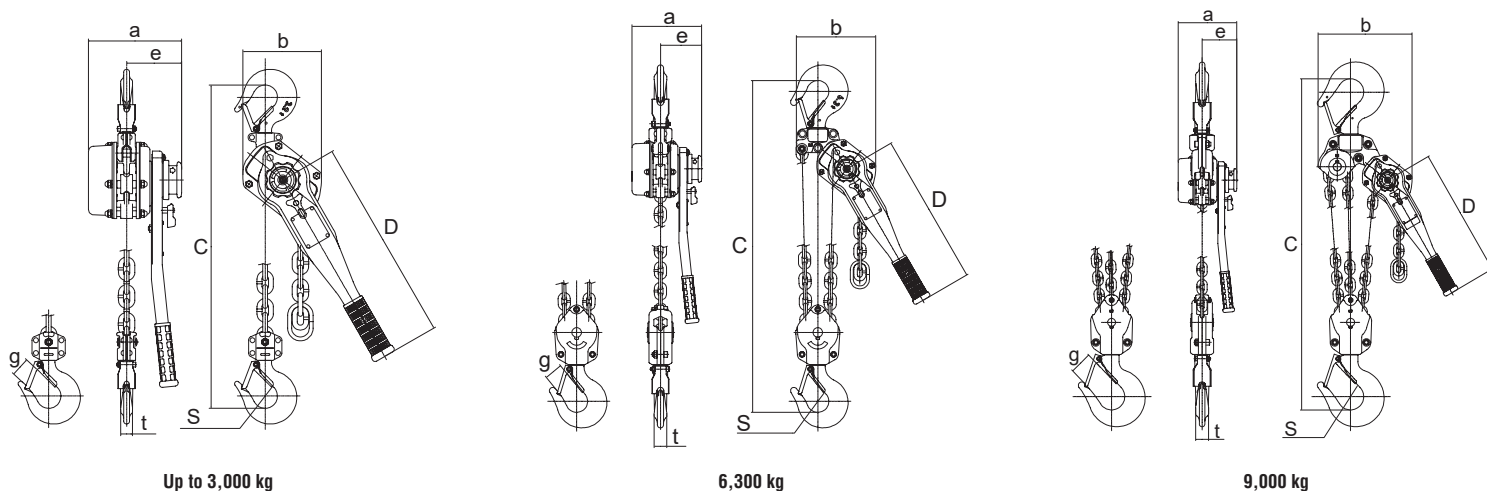
- ▶ Equipment classification Gas $\text{Ex II 3G EX h IIB T3 Gc}$ (zone 2)
- ▶ Equipment classification Dust $\text{Ex II 3G EX h IIB T200°C Dc}$ (zone 22)
- ▶ Bronze coated hooks and chain guide
- ▶ Unique freewheel function
- ▶ Fine tooth precision gearing to reduce required force
- ▶ More robust and ergonomic lever
- ▶ High-performance mechanical brake
- ▶ Nickel plated load chain, grade V (G 100) in acc. with standard EN818-7
- ▶ Surface treatment power coating, colour Munsell 6YR6/14R

Optional:

- ▶ Overload limiter (OLL)
- ▶ Overload signal (LOS)

Explosion Protected:

Equipment is executed with non-sparking materials for fast mechanical contact parts for hand chain movements and internal fast moving hoist parts, extended with unique and reliable bronze coated load hooks.



Up to 3,000 kg

6,300 kg

9,000 kg

Capacity kg	Article number	Model	No. of falls	Standard Lift m	Chain Size mm	Max. pulling force daN	Weight 3 meters Lift kg	Headroom mm	Dimensions							
									a	b	C	D	e	g	S	t
800	86920-00800	LB008	1	1,5	5,6 x 15,7	28,4	6,8	280	114	119	280	245	97	23,5	35,5	14
1,000	86920-01000	LB010	1	1,5	5,6 x 15,7	35,3	7,0	300	114	119	300	245	97	29	42,5	15
1,600	86920-01600	LB015	1	1,5	77,1 x 19,9	33,3	9,7	335	159	126	335	265	100	32	42,5	19
2,500	86920-02500	LB025	1	1,5	8,8 x 24,6	36,3	13,8	375	173	150	375	265	102	36,5	47	21
3,200	86920-03200	LB032	1	1,5	10 x 28	36,3	18,5	395	190	159	395	415	112	39	50	24,5
6,300	86920-06300	LB063	2	1,5	10 x 28	37,2	33,1	540	190	217	540	415	112	50	60	34
9,000	86920-09000	LB090	3	1,5	10 x 28	38,2	50,5	680	190	304	680	415	112	72,5	85	41,5

Changes in design and measurements reserved.

Van Leusden BV

Parelhoenweg 2 | 4791 PA Klundert | The Netherlands

Tel. +31 168 385 225 | www.vanleusden.com | info@vanleusden.com

LIFTING EXPECTATIONS