

Components | Wheels / Double flange



Features:

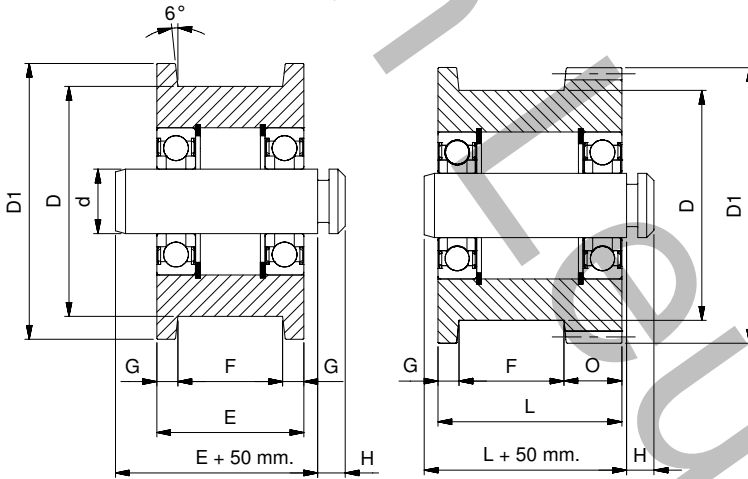
- Capacities from 1.500 - 12.500 Kg
- Heavy duty double flange wheels, steel C45
- Diameters up to 500 mm
- Fully enclosed 2RS bearings, life time lubricated
- Wheel shafts delivered as loose item, also in special dimensions possible
- Available for manual and motor driven trolleys and cranes
- Standard for 30/20, 50/30 or 60/40 crane rails available see table

Optional:

- Wheel shaft with fasteners, for application in constructions, different plate size and thickness.
- Execution with cone clamp or nut key
- Also available in stainless steel, Aluminium Bronze CUAL10NI
- Other materials on request
- Drive pinions for motor and manual drive
- Custom built wheels for replacement or special applications

Technical information:

Do you need a special design or replacement for an existing Construction ? Feel free to contact us for more information. Technical assistance will be provided to find a correct solution for your specific needs.



| Components / Wheels / Double flange (Art. Group 85600) | | | | | | | | | | | | | | | | | | | |
|--|-----|-------------|----|--------|------------|-----------------|-----------|----|----|------|---|---|----|--------------|---------|-----------------------|---------|---------------|---------|
| Push + Handgeared Double Flange | | | | | | | | | | | | | | | | | | | |
| D | D1 | S-355 Rails | d | m - z | Ro. KN Nom | 2 x 2RS Bearing | Fn N / KN | E | F | G | L | O | H | Push 85600.. | | Geared Manual 85600.. | | Shaft 85600.. | |
| | | | | | | | | | | | | | | Art. Nr | Price € | Art. Nr | Price € | Art. Nr | Price € |
| 125 | 150 | 30 / 20 | 35 | 3 - 48 | 26 | 6207 | 16 | 60 | 37 | 11,5 | - | - | 15 | ..12530 | Price € | ..12531 | Price € | ..03500 | Price € |
| 125 | 150 | 50 / 30 | 35 | 3 - 48 | 36 | 6307 | 16 | 80 | 57 | 11,5 | - | - | 15 | ..12550 | Price € | ..12551 | Price € | ..03501 | Price € |
| 160 | 180 | 50 / 30 | 40 | 3 - 58 | 45 | 6308 | 12 | 80 | 57 | 11,5 | - | - | 15 | ..16050 | Price € | ..16051 | Price € | ..04000 | Price € |
| 200 | 220 | 50 / 30 | 45 | 3 - 70 | 53 | 6309 | 9 | 80 | 57 | 11,5 | - | - | 15 | ..20050 | Price € | ..20051 | Price € | ..04500 | Price € |

| Motor driven, Electric, Pneumatic, Hydraulic | | | | | | | | | | | | | | | | | | | | |
|--|-----|-------------|----|---------|------------|------------|-----------------|-----------|-----|----|------|-----|------|----|--------------|---------|----------------------|---------|---------------|---------|
| D | D1 | S-355 Rails | d | m - z | Nom. Ro. | | 2 x 2RS Bearing | Fn N / KN | E | F | G | L | O | H | Push 85600.. | | Geared Motor 85600.. | | Shaft 85600.. | |
| | | | | | KN V20-25% | KN V40-40% | | | | | | | | | Art. Nr | Price € | Art. Nr | Price € | Art. Nr | Price € |
| 125 | 150 | 30 / 20 | 35 | 3 - 48 | 22 | 17 | 6207 | 16 | 60 | 37 | 11,5 | 80 | 31,5 | 15 | ..12530 | Price € | ..12533 | Price € | ..03500 | Price € |
| 125 | 150 | 50 / 30 | 35 | 3 - 48 | 32 | 25 | 6307 | 16 | 80 | 57 | 11,5 | 100 | 31,5 | 15 | ..12550 | Price € | ..12553 | Price € | ..03501 | Price € |
| 160 | 180 | 50 / 30 | 40 | 3 - 58 | 42 | 34 | 6308 | 12 | 80 | 57 | 11,5 | 100 | 31,5 | 15 | ..16050 | Price € | ..16053 | Price € | ..04000 | Price € |
| 200 | 220 | 50 / 30 | 45 | 3 - 70 | 53 | 44 | 6309 | 9 | 80 | 57 | 11,5 | 100 | 31,5 | 15 | ..20050 | Price € | ..20053 | Price € | ..04500 | Price € |
| 250 | 272 | 50 / 30 | 50 | 4 - 66 | 70 | 57 | 6310 | 7 | 80 | 57 | 11,5 | 110 | 41,5 | 15 | ..25050 | Price € | ..25050 | Price € | ..05000 | Price € |
| 315 | 348 | 50 / 30 | 55 | 4 - 85 | 90 | 76 | 6311 | 6 | 90 | 60 | 15 | 120 | 45 | 15 | ..31550 | Price € | ..31553 | Price € | ..05500 | Price € |
| 400 | 432 | 50 / 30 | 60 | 4 - 106 | 104 | 99 | 6312 | 5 | 90 | 60 | 15 | 120 | 45 | 15 | ..40050 | Price € | ..40053 | Price € | ..06000 | Price € |
| 500 | 540 | 60 / 40 | 70 | 6 - 88 | 136 | 136 | 6314 | 4 | 100 | 70 | 15 | 150 | 65 | 20 | ..50060 | Price € | ..50063 | Price € | ..07000 | Price € |

@ = on request