

ENGINEERED LIFTING SOLUTIONS

## HOISTING FOR EXTREME APPLICATIONS



**HD3C PUSH AND GEARED  
TROLLEYS**

**STANDARD EXECUTION**

**500 KG – 30.000 KG LIFTING CAPACITY**

Leaflet No. KITO-81000\_81200.0817

## HD3C PUSH AND GEARED TROLLEYS, STANDARD EXECUTION

500 KG – 30.000 KG LIFTING CAPACITY

### Designed and manufactured according to:

- ▶ EC machinery directive 2006/42/EC
- ▶ EN13157
- ▶ Manufactured in the Netherlands

### Standard features:


- ▶ Unique 3 bolt design which ensures stability and safe situation
- ▶ Adjustable suspension bolts (see table)
- ▶ Wheel break support and anti-tilt device integrated
- ▶ Trolley wheels with life time lubricated bearings
- ▶ Suitable for all types of beams
- ▶ Surface treatment trolley electric galvanized up to 64kN larger chassis are 2 layer paint system, RAL7021
- ▶ Hand chain electric galvanized

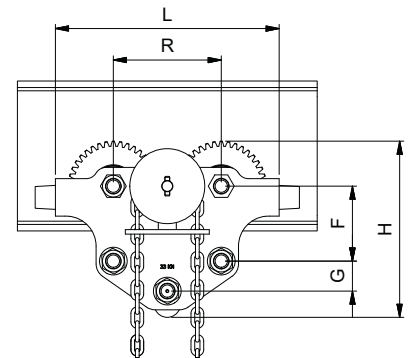
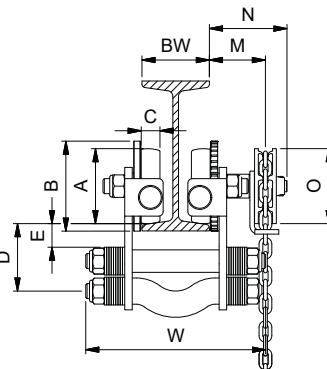
### Remark:

The minimum beam radius is based on the maximum beam width which is specified in the table. For smaller curved beams always contact us or your local agent for clarification.

Maximum INP profile restriction for 6kN = INP220, 11kN = INP300, 22kN = INP360, 33kN = INP400, 52/64kN = INP450

### Optional:

- ▶  Explosion protected execution
- ▶ Special surface protection according to ISO 12944
- ▶ Parking device for parking in unloaded condition
- ▶ Rubber buffers mounted on trolley
- ▶ 3.1 load test certificate
- ▶ 3.1 material certificate for load bearing trolley parts



Capacity kg	Article number Push	Article number Geared	Chassis	Adjustable beam width min~max mm	Min. beam Radius mm	Chain pull max. kg	Weight */** kg	Dimensions													
								A	B	C	L	H	W	R	D	E	F	G	M	N	O
500	81000-00600	-	6 kN	55-102	700	-	3	45	60	15	150	125	160	75	52	15	45	30	-	-	-
	81000-00601	-		105-152									210								
1.000	81000-01100	81200-01100	11 kN	55-102	1.050	10	5-6	60	75	18	190	160	175	99	60	20	60	30	65	90	100
	81000-01101	81200-01101		105-152									225								
	81000-01102	81200-01102		156-203									275								
	81000-01103	81200-01103		207-254									325								
2.000	81000-02200	81200-02200	22 kN	74-127	1.400	16	11-12	80	100	22	255	205	215	123	75	27	80	35	65	90	100
	81000-02201	81200-02201		127-180									270								
	81000-02202	81200-02202		190-243									330								
	81000-02203	81200-02203		254-305									390								
3.200	81000-03300	81200-03300	33 kN	90-143	1.750	20	18-19	100	120	25	300	245	250	144	90	35	100	40	70	95	100
	81000-03301	81200-03301		149-203									310								
	81000-03302	81200-03302		203-254									360								
	81000-03303	81200-03303		251-305									410								
5.000	81000-05200	81200-05200	52 kN	106-156	2.200	20	31-32	125	150	30	375	305	207	174	117	40	120	60	100	130	135
	81000-05201	81200-05201		160-210									325								
	81000-05202	81200-05202		210-260									375								
	81000-05203	81200-05203		255-305									420								
6.300	81000-06400	81200-06400	64 kN	106-156	2.200	25	33-34	125	150	30	375	310	270	174	117	40	120	60	100	130	135
	81000-06401	81200-06401		160-210									325								
	81000-06402	81200-06402		210-260									375								
	81000-06403	81200-06403		255-305									420								
8.000	81000-08401	81200-08401	84 kN	>= 119	2.950	16	85-90	160	190	35	450	365	BW+150	220	145	45	145	80	105	130	270
10.000	81000-10401	81200-10401	104 kN	>= 131	2.950	19	90-95	160	190	35	450	370	BW+150	220	145	45	145	80	105	130	270
12.500	81000-12401	81200-12401	124 kN	>= 143	2.950	23	95-100	160	190	35	450	370	BW+150	220	145	45	145	80	105	130	270
16.000	81000-16401	81200-16401	164 kN	>= 155	3.700	25	135-145	200	240	50	550	445	BW+185	272	165	42	165	100	135	170	300
20.000	81000-20401	81200-20401	204 kN	>= 170	3.700	25	140-150	200	240	50	550	450	BW+185	272	165	42	165	100	135	170	300
25.000	81000-25401	81200-25401	254 kN	>= 185	3.700	25	150-160	200	240	50	550	455	BW+195	272	165	42	165	100	135	170	380
30.000	81000-32801	81200-32801	328 kN	>= 200	4.000	25	310	250	288	55	670	655	BW+286	320	265	62,5	215	175	144	181	380

\* GKDO: Spherical plain bearings and rod ends  
Larger capacities on request

Changes in design and measurements reserved.