

**KITO** VAN LEUSDEN

# HOISTING FOR EXTREME APPLICATIONS



**MANUAL LEVER HOIST ATEX**

800 KG – 9,000 KG LIFTING CAPACITY



ATEX  
Explosion Protected

Leaflet No. KITO-86920\_neu

## MANUAL LEVER HOIST ATEX 800 KG – 9,000 KG LIFTING CAPACITY



**ATEX**  
Explosion Protected

**Designed and manufactured for use in potentially explosive atmospheres in underground mines and above ground, according to:**

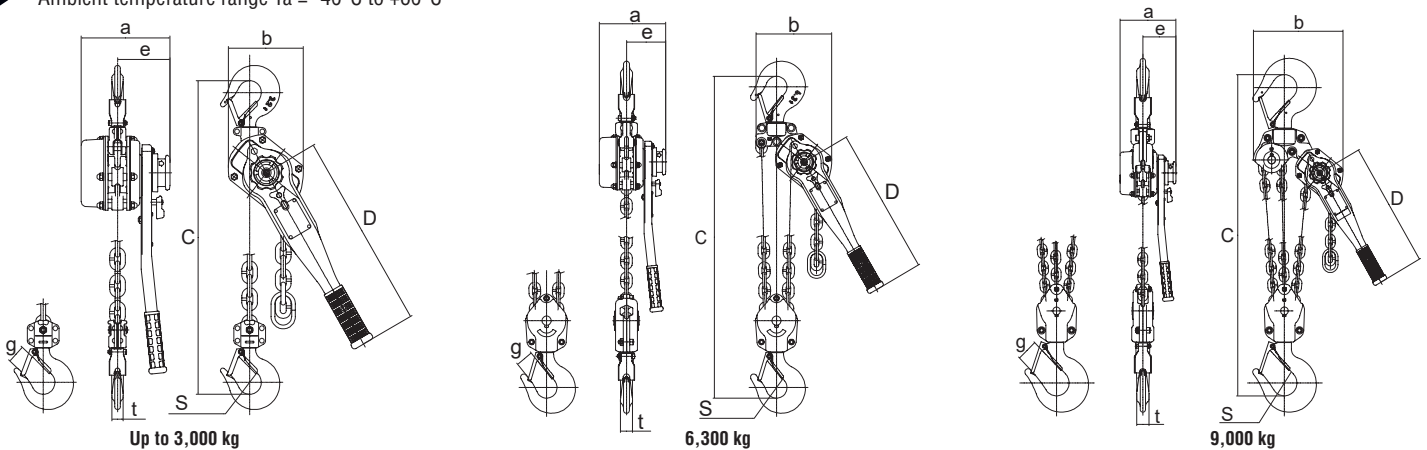
- ▶ EC machinery directive 2006/42/EC
- ▶ EN 1127-1
- ▶ EN 1127-
- ▶ EN 13157
- ▶ EN-ISO 80079-36
- ▶ EN-ISO 80079-37
- ▶ EN-ISO 80079-38
- ▶ ATEX Directive 2014/34/EU
- ▶ Manufactured in the Netherlands

### Standard features:

- ▶ Overload limiter (OLL)
- ▶ Equipment classification Gas  $\text{Ex II 2G Ex h IIB T4...T3 Gb X}$  (Zone 1 or 2)
- ▶ Equipment classification Dust  $\text{Ex II 2D Ex h IIIC T135°C...T200°C Db X}$  (Zone 21 or 22)
- ▶ Equipment classification Mining  $\text{Ex I M2 Ex h I Mb X}$
- ▶ Bronze coated hooks and chain guide
- ▶ Overload signal (LOS)
- ▶ Unique freewheel function
- ▶ Fine tooth precision gearing to reduce required force
- ▶ More robust and ergonomic lever
- ▶ High-performance mechanical brake
- ▶ Nickel plated load chain, grade V (G 100) in acc. with standard EN818-7
- ▶ Surface treatment power coating, colour Munsell 6YR6/14R
- ▶ Ambient temperature range  $T_a = -40^\circ\text{C}$  to  $+60^\circ\text{C}$

### Explosion Protected:

Equipment is executed with non-sparking materials for fast mechanical contact parts for hand chain movements and internal fast moving hoist parts, extended with unique and reliable bronze coated load hooks.



Capacity kg	Article number	Model	No. of falls	Standard Lift	Chain Size	Max. pulling force	Weight 3 meters Lift	Headroom	Dimensions							
				m	mm	daN	kg	mm	a	b	c	d	e	g	s	t
800	86920-00800	MLH-LB008	1	1,5	5,6 x 15,7	28,4	6,8	280	114	119	280	245	97	23,5	35,5	14
1,000	86920-01000	MLH-LB010	1	1,5	5,6 x 15,7	35,3	7,0	300	114	119	300	245	97	29	42,5	15
1,600	86920-01600	MLH-LB015	1	1,5	77,1 x 19,9	33,3	9,7	335	159	126	335	265	100	32	42,5	19
2,500	86920-02500	MLH-LB025	1	1,5	8,8 x 24,6	36,3	13,8	375	173	150	375	265	102	36,5	47	21
3,200	86920-03200	MLH-LB032	1	1,5	10 x 28	36,3	18,5	395	190	159	395	415	112	39	50	24,5
6,300	86920-06300	MLH-LB063	2	1,5	10 x 28	37,2	33,1	540	190	217	540	415	112	50	60	34
9,000	86920-09000	MLH-LB090	3	1,5	10 x 28	38,2	50,5	680	190	304	680	415	112	72,5	85	41,5

Changes in design and measurements reserved.

### Van Leusden BV

Parelhoenweg 2 | 4791 PA Klundert | The Netherlands  
Tel. +31 168 385 225 | www.vanleusden.com | info@vanleusden.com

**LIFTING EXPECTATIONS**