

Cranes | Hand operated / Underslung crane

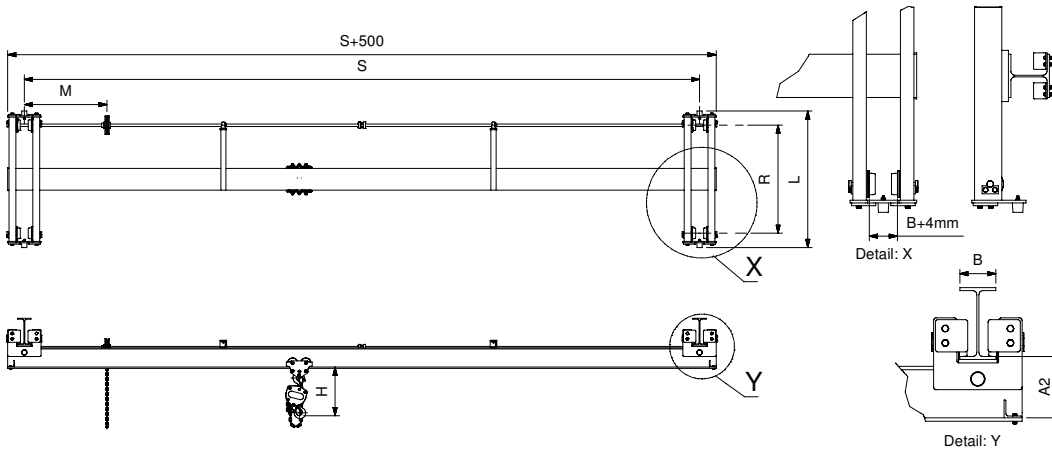
Features:

- Van Leusden underslung cranes are available as complete cranes and as crane kits for self-construction
- Solid steel single flange wheels, suitable for all kinds of crane gantries
- Low pull force on the chain makes the crane easy to drive
- The cranes are of low maintenance type and have limited wear and tear parts
- The cranes delivered complete with: Manual geared drive, Control height 3 m, control chain, Surface protection Shot blasting + primer + top coat in RAL1007, S.W.L. Sticker, Users manual
- Crane kits for crane-constructors: A complete set of

wheel boxes, with transversal shaft, bearing blocks, hand chain wheel, hand chain, accompanied by a dimensional sketch. Shot blasted + primer, Basic welding execution, Crane girder to be welded to the wheelboxes, Crane girder to be provided by crane-constructor

Optional:

- Wheel boxes with screw fittings to the crane girder.
- Higher capacities, double girder cranes, low headroom types
- Special surface treatment
- For suitable Hoist and Trolley units see our other catalogue pages



Technical information:

- 1) Max. Girder deflection 1/600 of span. Mentioned values are for complete manual driven cranes.
- 2) Values mentioned between (...) are corresponding a girder deflection of 1/750 of span. This value shall be used for cranes with electric driven hoist and trolley or crane travel motions.
- 3) Maximum INP Gantry for: \varnothing 80/100S = INP 360, \varnothing 125/150S = INP 450

Cranes / Hand operated / Underslung crane (Art. group 86000)													
S.W.L.	S	R	L	Wheels	A2	Max. Weight. Hoist+Trolley	Max. Wheelbox load	Handchain Force	Crane 86200..	Price Crane Excl. € Hoist/Trolley	Crane Kit 86250..	Price Crane kit	Screw Fittings Boltset incl.
Kg.	m 1) 2)	mm	mm	mm	mm	Kg	KN	Kg	Art. Nr.	€	Art. Nr.	€	€
500	- 4.10 (- 3.70)	800	1005	80/100S	150	100	7.0	10	..05001		..05001		
	- 5.25 (- 4.75)	800	1005	80/100S	170				..05002		..05002		
	- 6.75 (- 6.00)	800	1005	80/100S	190				..05003		..05003		
	- 8.25 (- 7.40)	1000	1205	80/100S	210				..05004		..05004		
1.000	- 3.95 (- 3.55)	800	1005	80/100S	170	105	12.3	15	..10001		..10001		
	- 5.00 (- 4.50)	800	1005	80/100S	190				..10002		..10002		
	- 6.00 (- 5.50)	800	1005	80/100S	210				..10003		..10003		
	- 7.50 (- 6.70)	1000	1205	80/100S	230				..10004		..10004		
	- 9.10 (- 8.10)	1200	1405	80/100S	250				..10005		..10005		
2.000	- 3.40 (- 3.10)	800	1005	80/100S	170	150	22.3	19	..20001		..20001		
	- 5.75 (- 5.75)	800	1005	80/100S	250				..20002		..20002		
	- 7.75 (- 7.00)	1000	1205	80/100S	270				..20003		..20003		
	- 9.10 (- 8.10)	1200	1405	80/100S	290				..20004		..20004		
3.200	- 5.50 (- 4.90)	800	1075	125/150S	230	175	33.8	21	..32001		..32001		
	- 6.50 (- 5.90)	1000	1275	125/150S	250				..32002		..32002		
	- 9.50 (- 8.80)	1400	1675	125/150S	330				..32003		..32003		
	- 11.00 (- 9.90)	1400	1675	125/150S	350				..32004		..32004		
5.000	- 5.00 (- 5.00)	800	1075	125/150S	270	225	54.3	26	..50001		..50001		
	- 6.25 (- 6.25)	800	1075	125/150S	290				..50002		..50002		
	- 9.20 (- 9.20)	1200	1475	125/150S	390				..50003		..50003		